



REPRESENTACION EXCLUSIVA PARA ARGENTINA
 SUCRE 1852 - LOMAS DE ZAMORA
 (011) 4298-0184 delgasaa@delga.com
www.delga.com



► Model USIX

Hazardous Location UniStat™ Status Indicator

The UniStat™ is a LED (light emitting diode) based, multi-color, single-high status indicator.

Using the latest LED technology, this unique status indicator can produce three colors (Amber, Green and Red) or four colors (Amber, Blue, Green and Red) from a single light source.

The UniStat offers a choice of four integrated flash patterns – steady burn, slow flash, strobe flash and SimuStrobe™. SimuStrobe simulates the attention-getting flash rate of a strobe light but with a much more color-rich output. The user can choose a total of 12 possible flash/color combinations in the tri-color models and 16 in the quad-color models.

The USIX is protected in a durable polycarbonate housing utilizing 4-3/4-inch knockout conduit openings in the surface mount base. The outer glass globe is protected by a polycarbonate dome guard (included). Each model arrives pre-assembled and ready to surface mount.

FEATURES

- Available in 24VDC and 120VAC
- Tri or quad-color models
- 50,000 hour, vibration-resistant LED light source
- Surface mount
- PLC compatible
- UL and cUL Listed for Class I, Division 2, Groups A, B, C, D; Class II, Division 2, Groups F and G; and Class III
- Type 4X, IP66 enclosure

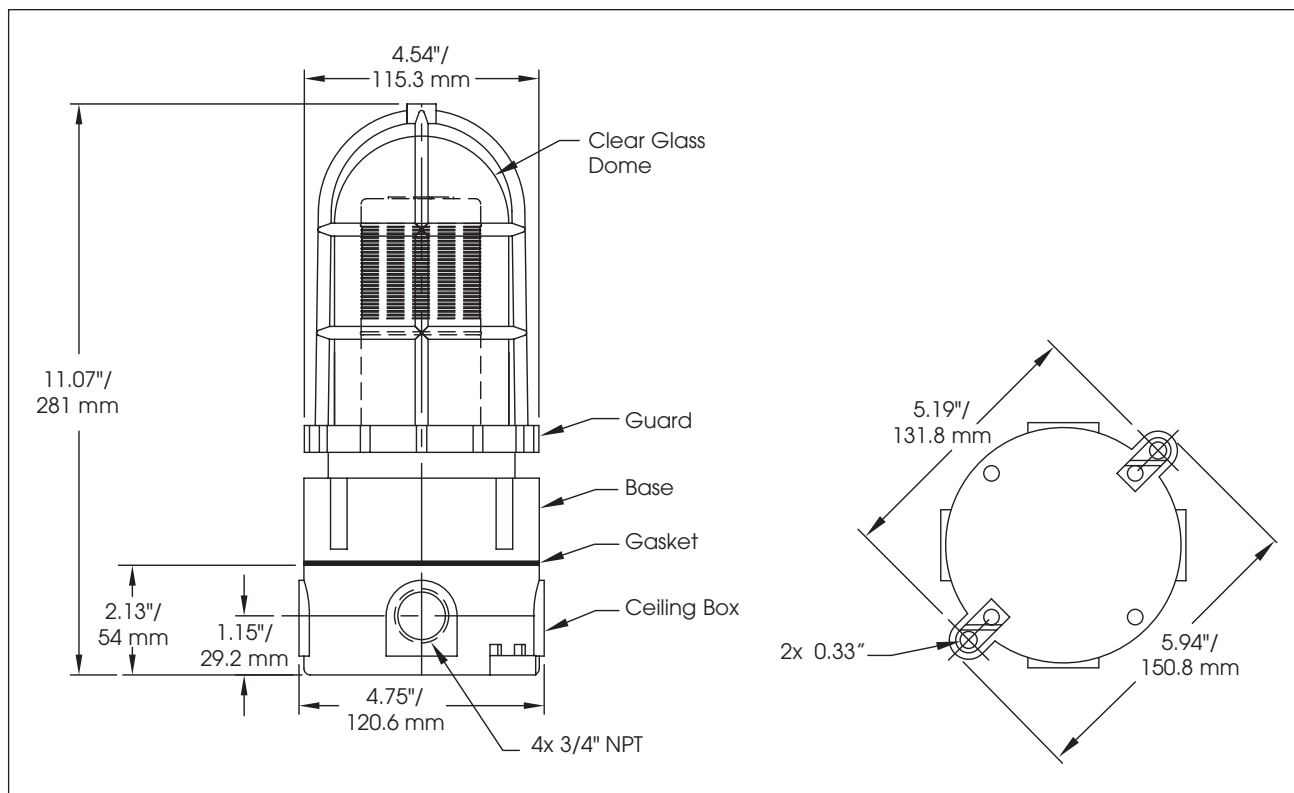
MODEL	DESCRIPTION	VOLTAGE	OPERATING CURRENT	MOUNT
USIX-024TC	Tri-color	24VDC	0.087 amps	Surface
USIX-120TC	Tri-color	120VAC	0.058 amps	Surface
USIX-024QC	Quad-color	24VDC	0.087 amps	Surface
USIX-120QC	Quad-color	120VAC	0.058 amps	Surface

HAZARDOUS LOCATION RATING: USIX

T-CODE AT MAXIMUM AMBIENT TEMPERATURE, °C

Hazardous Location	40°C	66°C
Class I, Division 2, Groups A, B, C, D	T6	T5
Class II, Division 2, Groups F, G	T6	T6
Class III	T6	T6

Hazardous Location UniStat™ (USIX)



SPECIFICATIONS

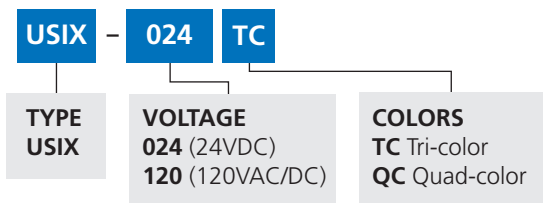
Lamp Life:	50,000 Hours	
Light Source:	LED Array	
Operating Temperature:	-40°F to 150°F	-40°C to 66°C
Net Weight:	2.49 lbs	1.13 kg
Shipping Weight:	2.53 lbs	1.15 kg
Height:	11.07"	281 mm
Diameter:	4.75"	115.3 mm

REPLACEMENT PARTS

Description	Part Number
MicroStat-UniStat Hardware Kit ¹	K844700351A
LED Array, Tri-color	K2005328A
LED Array, Quad-color	K2005328A-01

¹ Includes 1 lens of each color, cap, o-ring, and MicroStat light barrier

HOW TO ORDER



REPRESENTACION EXCLUSIVA PARA ARGENTINA
 SUCRE 1852 - LOMAS DE ZAMORA
 (011) 4298-0184 delgasa@delga.com
www.delga.com