



► Model SSTX3-MV

Explosion-Proof Remotely Selectable Electronic Siren

SSTX3-MV is an economical yet explosion-proof electronic siren capable of producing three high decibel tones from the same unit. The integrated circuitry is contained in a rugged die cast aluminum housing. The unique threaded rear access cover eliminates traditional time consuming bolting patterns. The access cover is also equipped with a braided cable lanyard securing it to the housing whenever the cover is open for installation or maintenance.

The Model SSTX3-MV can be used as a stand-alone, full output, audible warning device in any explosion-proof environment where multiple tones are needed but voice paging is not required.

Typical uses include emergency warning, start and dismissal, general alarm and evacuation.

FEATURES

- Multi-voltage design – accepts 24VDC, 120VAC or 240VAC
- Produces three user activated tones – wail, yelp and horn
- Produces 101-108 dBa @ 10' (111-118 dBa @ 1m)
- Cast copper free aluminum housing, spun aluminum projector
- Indoor and outdoor use
- NEMA 4X, IP66 enclosure
- UL Listed and cUL Listed for Class 1, Division 1, Groups B, C and D

| MODEL | VOLTAGE | OPERATING CURRENT | TONE | DECIBELS | |
|----------|---------|-------------------|------|----------|-----|
| | | | | 10' | 1M |
| SSTX3-MV | 24VDC | 600 mA | Wail | 108 | 118 |
| | 120VAC | 210 mA | Yelp | 108 | 118 |
| | 240VAC | 120 mA | Horn | 101 | 111 |

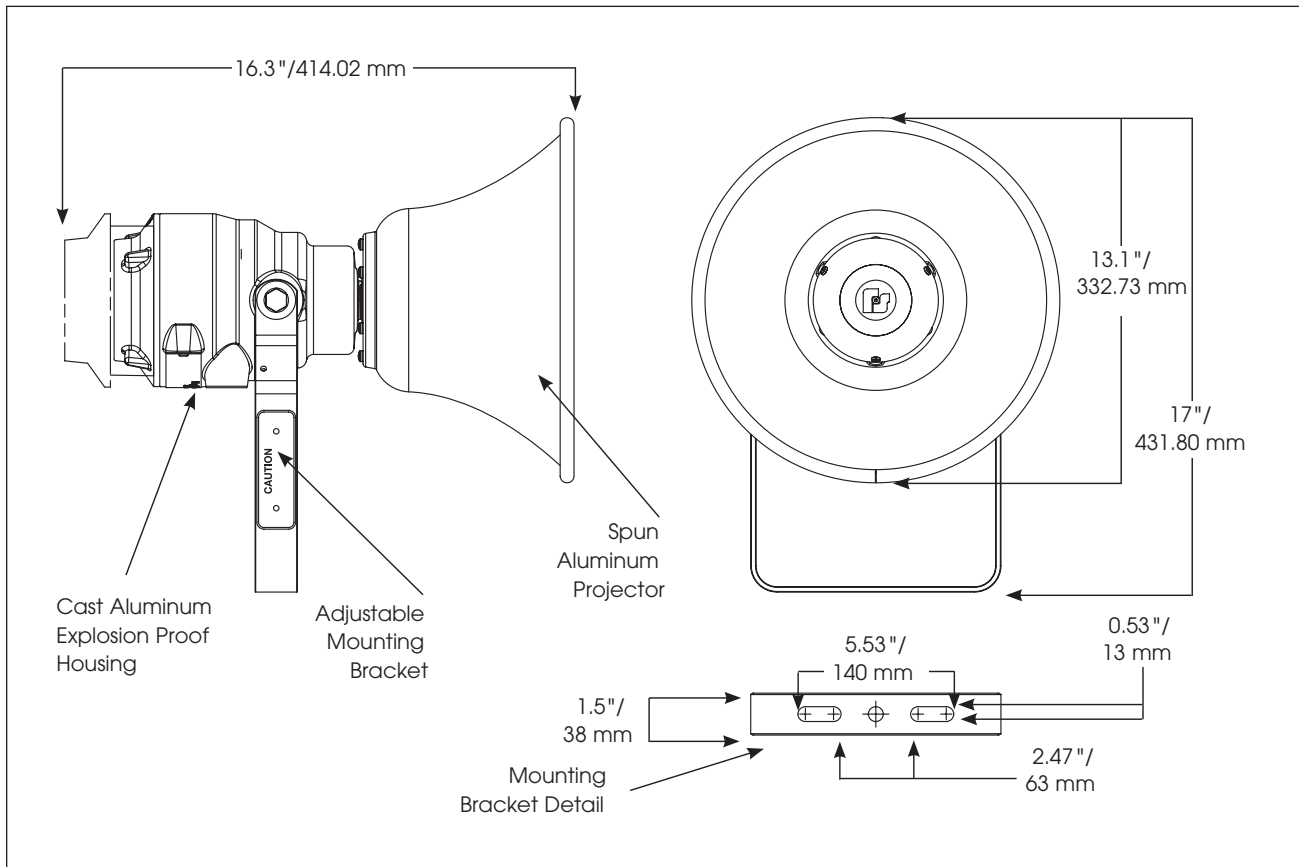
HAZARDOUS LOCATION RATING: SSTX3-MV

| T-CODE AT MAXIMUM AMBIENT TEMPERATURE, °C | | |
|---|-------|-------|
| HAZARDOUS LOCATION | 40 °C | 66 °C |
| Class I, Division 1, Groups B, C & D | T6 | T6 |
| Class I, Division 2, Group A | T3B | T3 |
| Class II, Division 2, Groups F & G | T6 | T6 |
| Class III | T6 | T6 |



REPRESENTACION EXCLUSIVA PARA ARGENTINA
 SUCRE 1852 - LOMAS DE ZAMORA
 (011) 4298-0184 delgasa@delga.com
www.delga.com

Electronic Siren (SSTX3-MV)



SPECIFICATIONS

| | | |
|------------------------|----------------|---------------|
| Operating Temperature: | -67°F to 151°F | -55°C to 66°C |
| Net Weight: | 15.4 lbs | 7.0 kg |
| Shipping Weight: | 22.8 lbs | 10.4 kg |
| Height: | 17.0" | 431.80 mm |
| Width: | 13.1" | 332.73 mm |
| Depth: | 16.3" | 414.02 mm |

HOW TO ORDER

Specify Model:
SSTX3-MV – Siren, electronic, remotely selectable, explosion-proof, multi-voltage

REPLACEMENT PARTS

| Description | Part Number |
|-----------------------|-------------|
| Connector, 4-Position | K140340B |
| PC Board Assembly | K2005110A |
| Projector Assembly | K8593100A |

