



► Model G-SND

Global Series Signaling Platform – Sounder

Federal Signal patent pending Global Series Sounders are available in explosion-proof “Ex” versions and increased safety “Ex de” wiring box versions and are certified for gas Group IIC environments.

The Global Series Sounder can be wired to perform two separate functions. A single tone can be selected via a rotary switch; once power is supplied, it will sound the selected tone. Alternatively, multiple tones can be selected remotely by choosing the appropriate combination of inputs.¹ This allows a unique sound to match a specific alarm condition or to be used to escalate an alarm condition.

The Global Series sounder can be combined with all other Global Series audible and visual products in several custom configurations. Custom configurations can be ordered directly from the factory. Optional coupling kits, which allow limited field fixturing, are available.

FEATURES

- Supports 3 operational voltages: 24VDC, 120VAC 50/60 Hz, and 230VAC 50/60 Hz
- Optional 316 stainless steel ratchet adjustable mounting U-bracket (Field installation required)
- Gain control
- Non-metallic corrosion-resistant design
- 15 Watt design
- Field customizable legend plates available²
- IP66 enclosure
- Two M20 entries standard on Ex d models, three M20 entries standard on Ex de models
- Zone 1, 21 Rated, IECEx, ATEX, Ex d IIC, Ex de IIC and Ex tb IIC
- UL and cUL Listed for Class I, Division 2, Groups A, B, C and D; Class II, Division 2, Groups F and G; and Class III
- UL and cUL Listed for Class 1, Zone 1 AEx db IIC T4: Zone 21, AEx tb IIC T4/135°C, excludes increase safety versions (Ex de)
- UL Fire Listed (24VDC operating voltage ONLY)
- Optional indicator rings are available in six colors: Black, Blue, Green, Magenta, Red and Yellow

MODEL	OPERATING VOLTAGE	NOMINAL OPERATING CURRENT ³	DECIBELS ⁴	
			10'	1M
G-SND	24VDC	0.460 amps	98	108
	120/230VAC 50/60Hz	0.140/0.080 amps	98	108

UL/cUL HAZARDOUS LOCATION RATING

TEMPERATURE CODE AT 70°C

Class I, Division 2, Groups A, B, C, D	T4
Class II, Division 2, Groups F, G	T6
Class III	T6

ATEX/IECEx HAZARDOUS LOCATION RATING

TEMPERATURE CODE

AT 49°C	AT 70°C
T5 (in IIB)	T4 (in IIB)
T4 (in IIC)	T4 (in IIC)

¹ Refer to application guide for specific wiring details.

² Recommended labels: BRADY #B-855 Toughwash labels or ULINE #S-16643 weather resistant

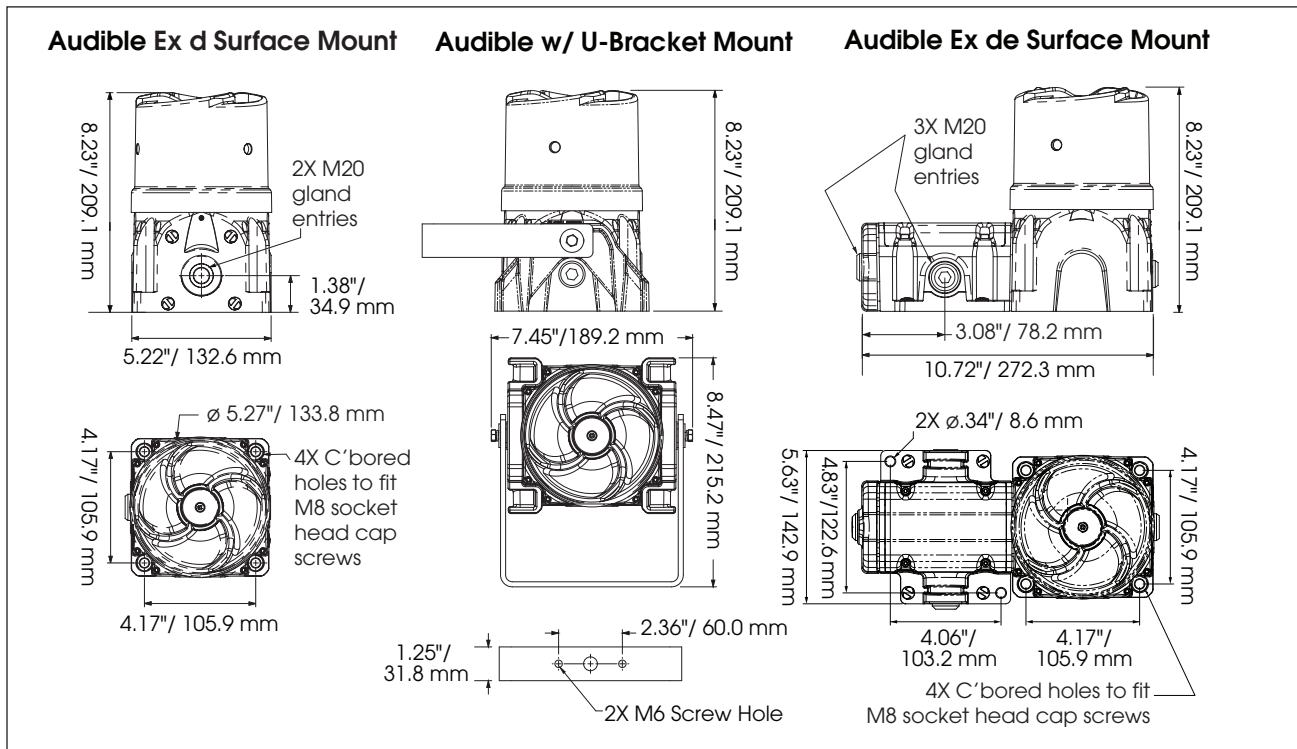
³ Operating current varies with frequency content and input power.

⁴ Measured using on-board tone 9 at nominal input voltage



REPRESENTACION EXCLUSIVA PARA ARGENTINA
 SUCRE 1852 - LOMAS DE ZAMORA
 (011) 4298-0184 delgasa@delga.com
www.delga.com

Global Series Signaling Platform – Audible Device (G-SND)



SPECIFICATIONS

Operating Temperature Range: -67°F to 158°F -55°C to +70°C
 ATEX/IECEx Certification Marking:
 Ex db IIB T5 Gb or Ex db e IIB T5 Gb
 Ex tb IIIC T100°C Db IP66
 Ex db IIC T4 Gb or Ex db e IIC T4 Gb
 Ex tb IIIC T135°C Db IP66
 ATEX: Baseefa15ATEX0155X
 IECEx: IECEx BAS 15.0104X

External Fasteners: 316 stainless steel
 Terminals: Ex d: 11 way block (3 in, 3 out with 4-tone selection terminals & select line)
 Ex de: 3-pole, 4 position quad pole terminal blocks
 Cable Entries: Ex d: 2 entries - M20 x 1.5
 Ex de: 3 entries - M20 x 1.5
 UL and cUL Certification Marking:
 Class I, Division 2, Groups A,B,C,D T4 @ 70°C

Class II, Division 2, Groups F,G T6 @ 70°C
 Class III T6 @ 70°C
 UL and cUL E12629

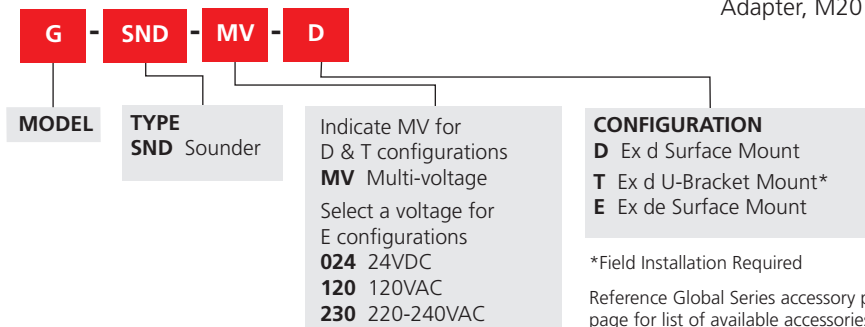
Net Product Weight:

Ex d Surface Mount	9.61lbs	4.36kg
Ex d U-Bracket Mount	11.59 lbs	5.26kg
Ex de Surface Mount	12.43lbs	5.64kg

REPLACEMENT PARTS

Description	Part Number
Multi-voltage G-SND Sounder Kit (Kit includes PCBAs, bracket, driver, and mounting screw)	K859501404
e-Box Endcap with M20 Opening	K859500805-02
e-Box Endcap with M25 Opening	K859500805-01
e-Box Cover Assembly (Includes two terminal blocks, mounting plate and retention hardware)	K859501414
Adapter, M20 Male to 1/2" Female NPT	K231246A
Adapter, M20 Male TO 3/4" Female NPT	K231247

HOW TO ORDER



REPRESENTACION EXCLUSIVA PARA ARGENTINA
 SUCRE 1852 - LOMAS DE ZAMORA
 (011) 4298-0184 delgasa@delga.com
www.delga.com