



► Model 225XST and 225XST-I

# Electraray® Hazardous Location Strobe Warning Light



Model 225XST is a hazardous location warning light has a black polyurethane coated base and the inner fresnel lens is available in five colors. The clear polycarbonate outer dome can be quickly removed for easy access to inspect the unit or change the lamp. The 225XST produces 240 effective candela and a 580,000 peak candela.

The 24VDC 225XST-I features a voltage in-rush limiting PCB design that provides greater compatibility with factory automation control systems and less electrical interference with in-rush sensitive devices.

Model 225XST is ideal for wet, corrosive atmospheres like those found in food processing industries, or anywhere a visual signal is needed.

## FEATURES

- 12-24VDC, 24VDC, 120VAC and 240VAC
- Six dome colors: Amber, Blue, Clear, Green, Magenta and Red
- 10,000 hour, high-intensity strobe tube
- 1/2-inch NPT pipe mount
- Indoor/outdoor use
- Type 4X, IP66 enclosure (Dome up orientation)
- UL and cUL Listed for Class I, Division 2, Groups A, B, C and D; Class II, Division 2, Groups F and G; and Class III.
- CSA Certified

MODEL	VOLTAGE	OPERATING CURRENT	FLASH RATE/ MINUTE	CANDELA		MOUNT
				PEAK <sup>1</sup>	ECP <sup>2</sup>	
<b>225XST-012-024 *</b>	12-24VDC	1.70-0.70 amps	80	580,000	240	1/2" NPT Pipe
<b>225XST-I-024 *</b>	24VDC	0.70 amps (2.0 amp In-rush)	80	580,000	240	1/2" NPT Pipe
<b>225XST-120 *</b>	120VAC	0.25 amps	80	580,000	240	1/2" NPT Pipe
<b>225XST-240 *</b>	240VAC	0.20 amps	80	580,000	240	1/2" NPT Pipe

\* Indicates color: (A) Amber, (B) Blue, (C) Clear, (G) Green (M) Magenta or (R) Red

<sup>1</sup> Peak candela is the maximum light intensity generated by a flashing light during its light pulse

<sup>2</sup> ECP (Effective Candela) is the intensity that would appear to an observer if the light were burning steadily

### HAZARDOUS LOCATION RATING: 225XST and 225XST-I

T-CODE AT MAXIMUM AMBIENT TEMPERATURE, °C

**Hazardous Location** **40°C**

Class I, Division 2, Groups A, B, C, D T2A

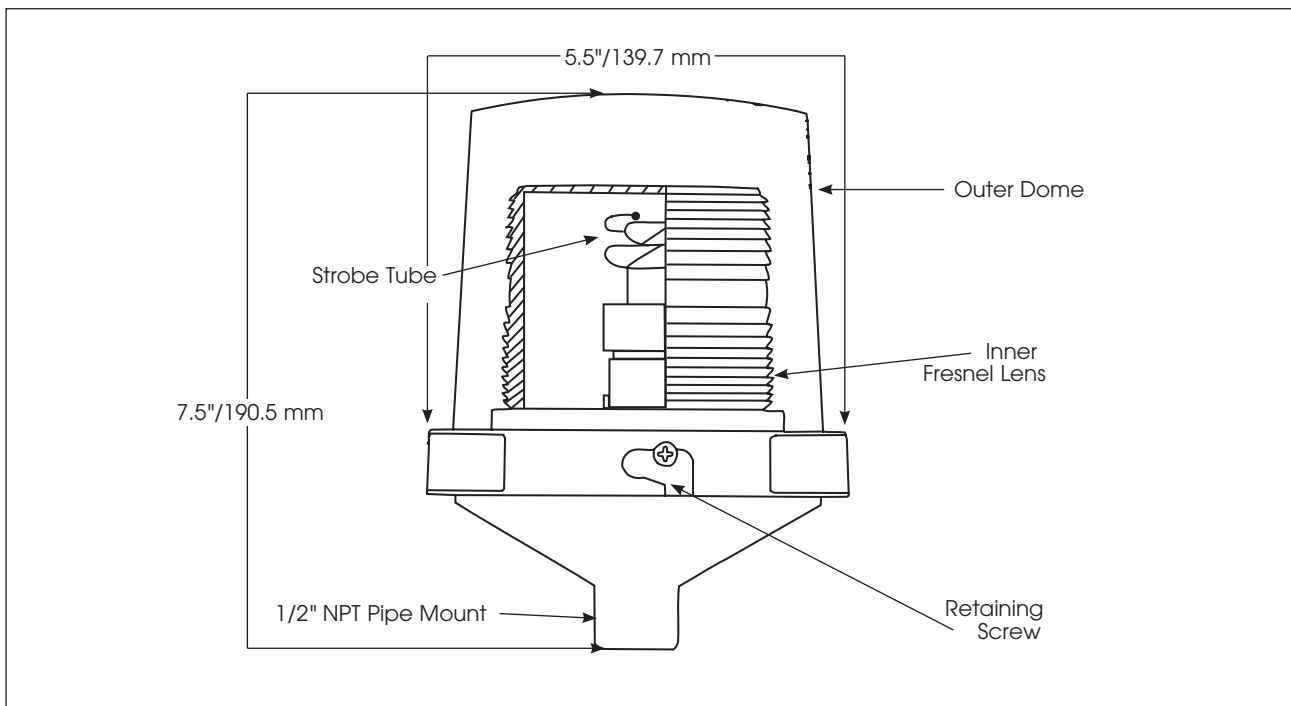
Class II, Division 2, Groups F, G T5

Class III T5



REPRESENTACION EXCLUSIVA PARA ARGENTINA  
 SUCRE 1852 - LOMAS DE ZAMORA  
 (011) 4298-0184 delgasa@delga.com  
[www.delga.com](http://www.delga.com)

# Electrarray® Hazardous Location Warning Light (225XST/ 225XST-I)



## SPECIFICATIONS

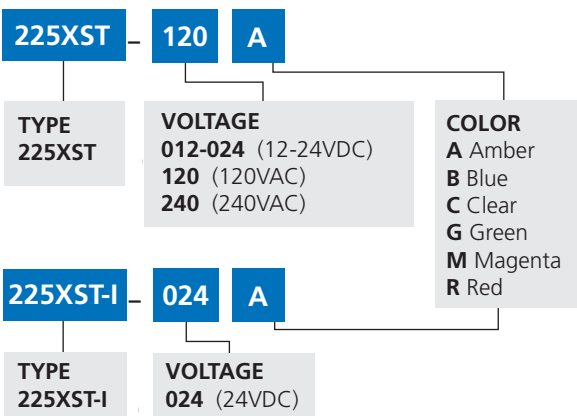
Lamp Life:	10,000 Hours	
Light Source:	Strobe tube	
Operating Temperature:	-40°F to 104°F	-40°C to 40°C
Net Weight:	1.5 lbs	0.68 kg
Shipping Weight:	2.0 lbs	0.9 kg
Height:	7.5"	190.5 mm
Diameter:	5.5"	139.7 mm

## REPLACEMENT PARTS

Description	Part Number
Interior Lens, Amber	K8550C095A-02
Interior Lens, Blue	K8550C095A-01
Interior Lens, Clear	K8550C095A
Interior Lens, Green	K8550C095A-04
Interior Lens, Magenta	K8550C095A-07
Interior Lens, Red	K8550C095A-03
Exterior Dome, Clear*	K8444D219C-04
PC Assembly, 120VAC	K2001905A
PC Assembly, 240VAC	K2001905A-01
Strobe Tube	K8107177A

\*Includes 1 dome gasket

## HOW TO ORDER



## OPTIONAL ACCESSORIES

Description	Part Number
Hazardous Location Mounting Bracket	LHWB

Mounting Brackets shown on pages 130-131

