



LED

# Explosion-Proof LED Warning Light

2000 Series Model LED

## DESIGNED FOR USE IN ATEX ZONE RATED ATMOSPHERES

- Super bright output with XLT™ LED Technology
- 3 remotely selectable flash patterns
- 50,000 hour lamp life
- Available in six colors
- Ex 'e' terminal chamber available
- AC and DC voltage ranges
- Approved for use in Zone 1, 2, 21, 22 Atmospheres

The 2000 Series Model LED beacon, with XLT™ technology, is a visual signal warning light for use in hazardous locations requiring ATEX approval. The beacon can produce three light patterns depending on the configuration of a field selectable jumper wire or remote contact closure. The light patterns are steady-on, slow flash or rapid flash. An optional telephone initiation feature also allows the beacon to flash when telephone ringing voltage is present.

The 2000 Series LED beacon is sealed from dust and water by a nitrile rubber o-ring. All exterior cast aluminum surfaces are finished in powder coat paint and external hardware is manufactured from stainless steel to resist corrosion. Available signal colors are Amber, Blue, Clear, Green, Red and Yellow.

The 2000 Series LED beacon is externally powered by 24VDC or 110-240VAC source. All AC powered units feature a switch mode power supply that accommodates a wide input voltage range without requiring any additional configuration from the user. The current consumption from the beacon is less than 500 mA and the in-rush current is low enough to allow PLC initiation without the use of an external relay. Screw type terminal blocks are provided for field wiring on all units.

All variations of the 2000 Series LED beacon feature a four entry fixture to allow cable looping. These cable entries are metric (M20 X 1.5) but other configurations are available upon request.

**ATEX IEC** **CE**

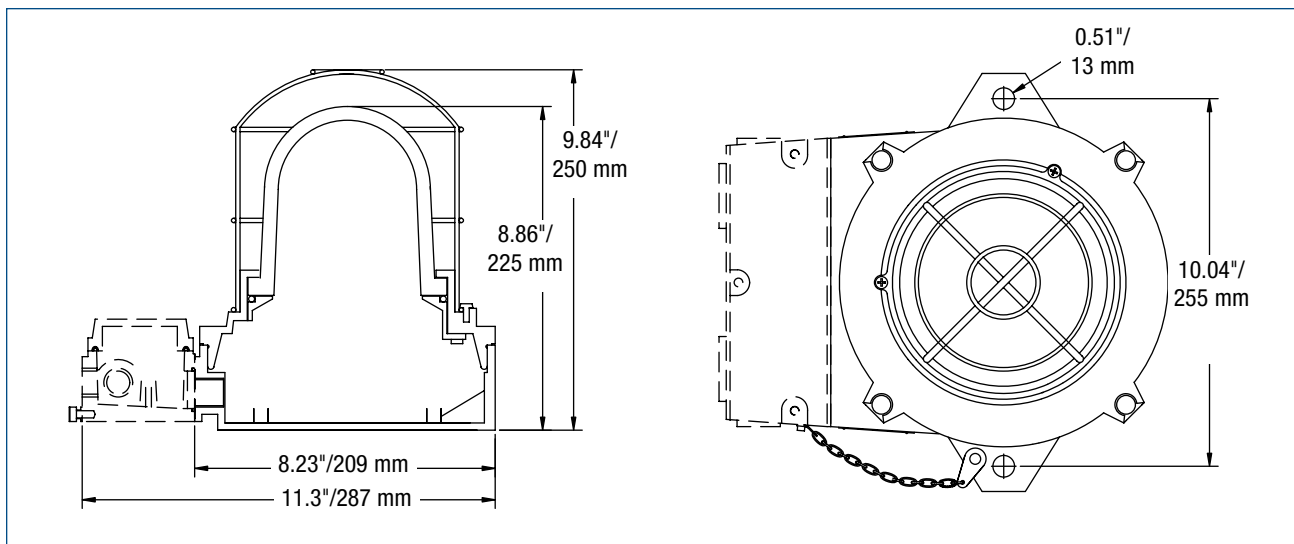
Model	Voltage	Operating Current	Flash Rate/Minute	Max In-Rush Current
LED	24VDC	0.50 amps	60-80	1.75A for 5.00mS
LED	110VAC	0.22 amps	60-80	2.00A for 0.25mS
LED	240VAC	0.13 amps	60-80	2.00A for 0.25mS

Specify color: (A) Amber, (B) Blue, (C) Clear, (G) Green, (R) Red or (Y) Yellow





## EXPLOSION-PROOF WARNING LIGHT (2000 SERIES LED)



### SPECIFICATIONS

Lamp Life:	50,000 Hours	50,000 Hours	Terminals:	
Light Source:	LED Array	LED Array	Ex d:	4 way block mounted PCB
Operating Temperature:			Ex de:	12 way block in terminal chamber
Ex d and Ex de:	-40°F to 131°F	-40°C to 55°C	Cable entries:	
Net Weight:			Ex d:	4 entries - M20 x 1.5
Ex d:	13.23 lbs.	6.0 kg	Ex de:	4 entries - M20 x 1.5
Ex de:	15.43 lbs.	7.0 kg	Mounting:	Via fixed cast lugs at two mounting points
Shipping Weight:	16.5 lbs.	7.5 kg	Body:	Marine Grade Alloy painted Regal Red
Height:	9.84"	250 mm	Exterior dome:	Toughened glass
Width:	10.04"	255 mm	Guard:	316 stainless steel
Length:	8.23"	209 mm	Ingress Protection:	IP66
ATEX Certificate Number:	Baseefa 07ATEX0150			
IECEX Certificate Number:	IECEX BAS 07.0038			
Certification Marking:	Ex d IIB T6 Ex tD A21 Ex de IIB T6 Ex tD A21			

### LIGHT OUTPUT

Amber	113cd
Blue	12cd
Green	66cd
Yellow	60cd
Red	63cd

### HOW TO ORDER

